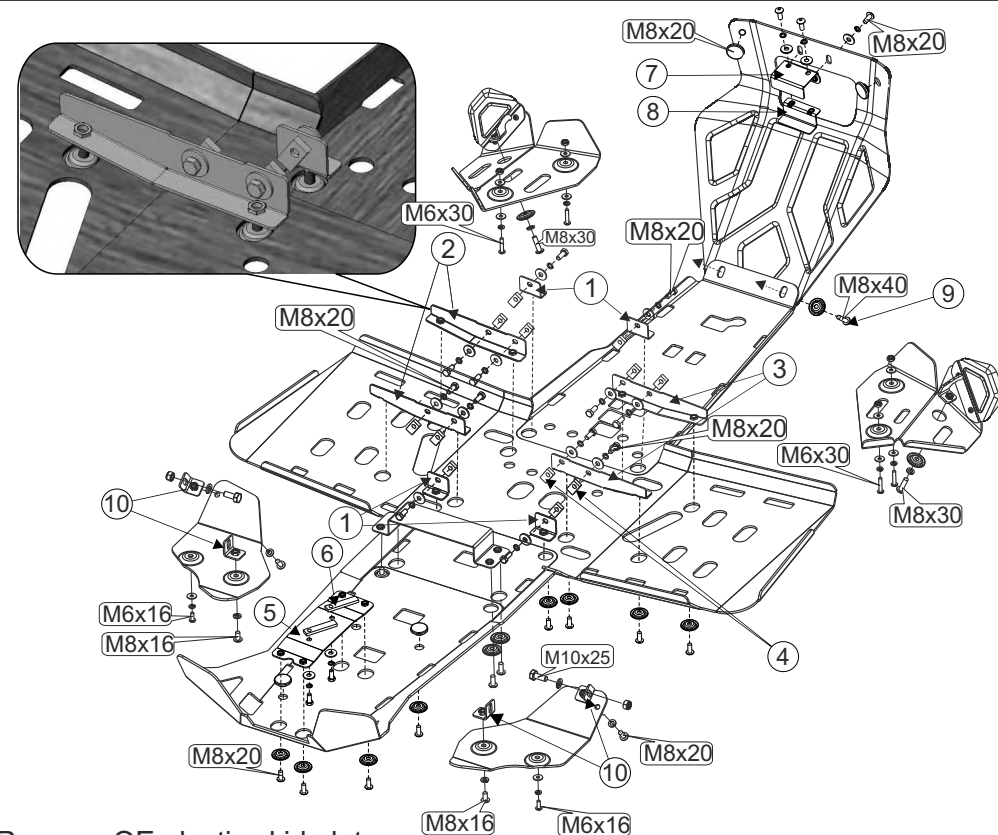
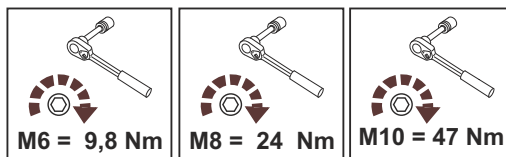


CAN-AM Outlander Max G2, 650/650X-MR/850/850X-MR/1000, 2019-

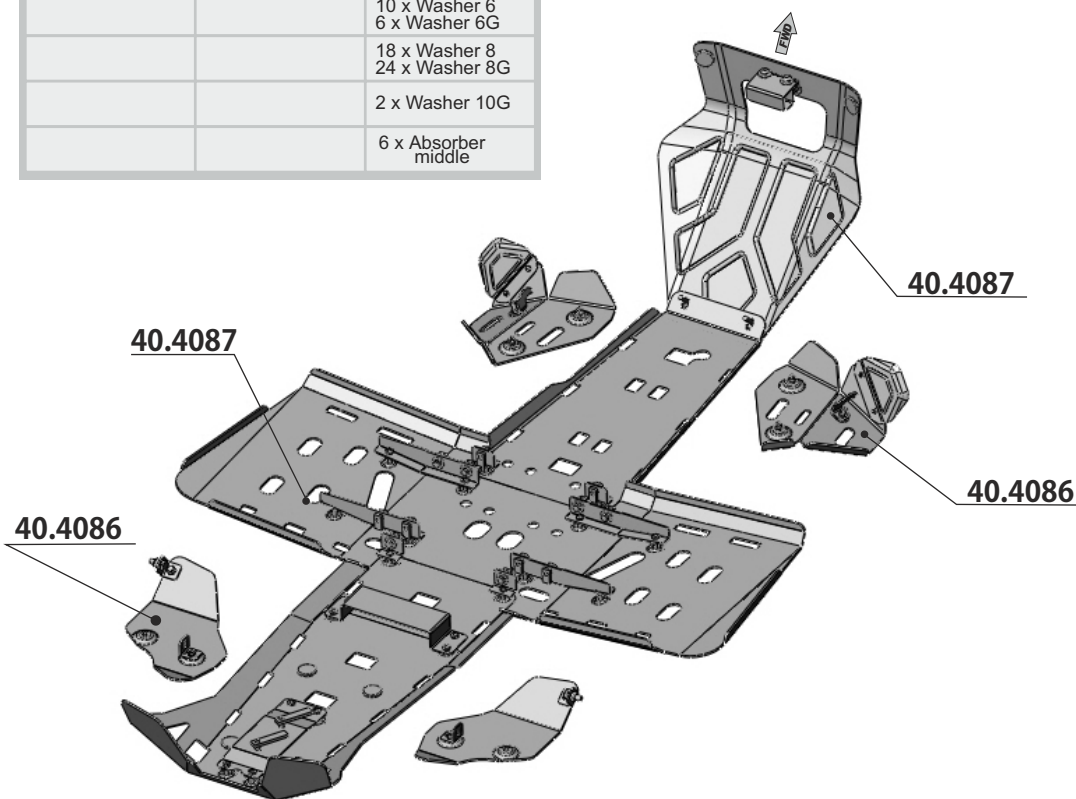
Material: Aluminium

Main parts of skid plate set

Part name	Part number	Fitting
Main part	40.4087	14 x Bolt M8x20 2 x Bolt M10x25 2 x Screw M6x16 4 x Screw M6x30 2 x Screw M8x16 26 x Screw M8x20 2 x Screw M8x30 2 x Screw M8x40 2 x SD 3007 12 x SD 3008 4 x Nut M6 2 x Nut M10 10 x Washer 6 6 x Washer 6G 18 x Washer 8 24 x Washer 8G 2 x Washer 10G 6 x Absorber middle



- 1) Remove OE plastic skid plate.
- 2) Instal brackets "1,2,3" on ATV's frame as it shown on picture.
- 3) Install bracket "5" using holders "6" as it shown on picture (you should put brackets over welded element of a frame over 2 mounting holes and then screw bracket "5" to it).
- 4) On a transverse pipe which is a part of an underframe with a winch install bracket "7" using clamp "8" as it shown on picture. Dont tight completely screws that are pulling together bracket and clamp, it would help to install a skid plate.
- 5) On a created fixing points install skid plate using brackets as it shown on picture (screws "9" are using with state nuts). Center the skid plate, tighten all screws including brackets "7, 8".
- 6) During installing front A-arms protection first you should tighten the protection using screw M6 and nut, after that install hooks as it shown on picture and tight everything.
- 7) Before installing rear A-arms protection first you should install brackets 10 in the holes where plastic skid plate was. On a created fixing points install A-arms protection and tight all screws.



STORM

www.stormprotect.ru

STORM

www.stormprotect.ru