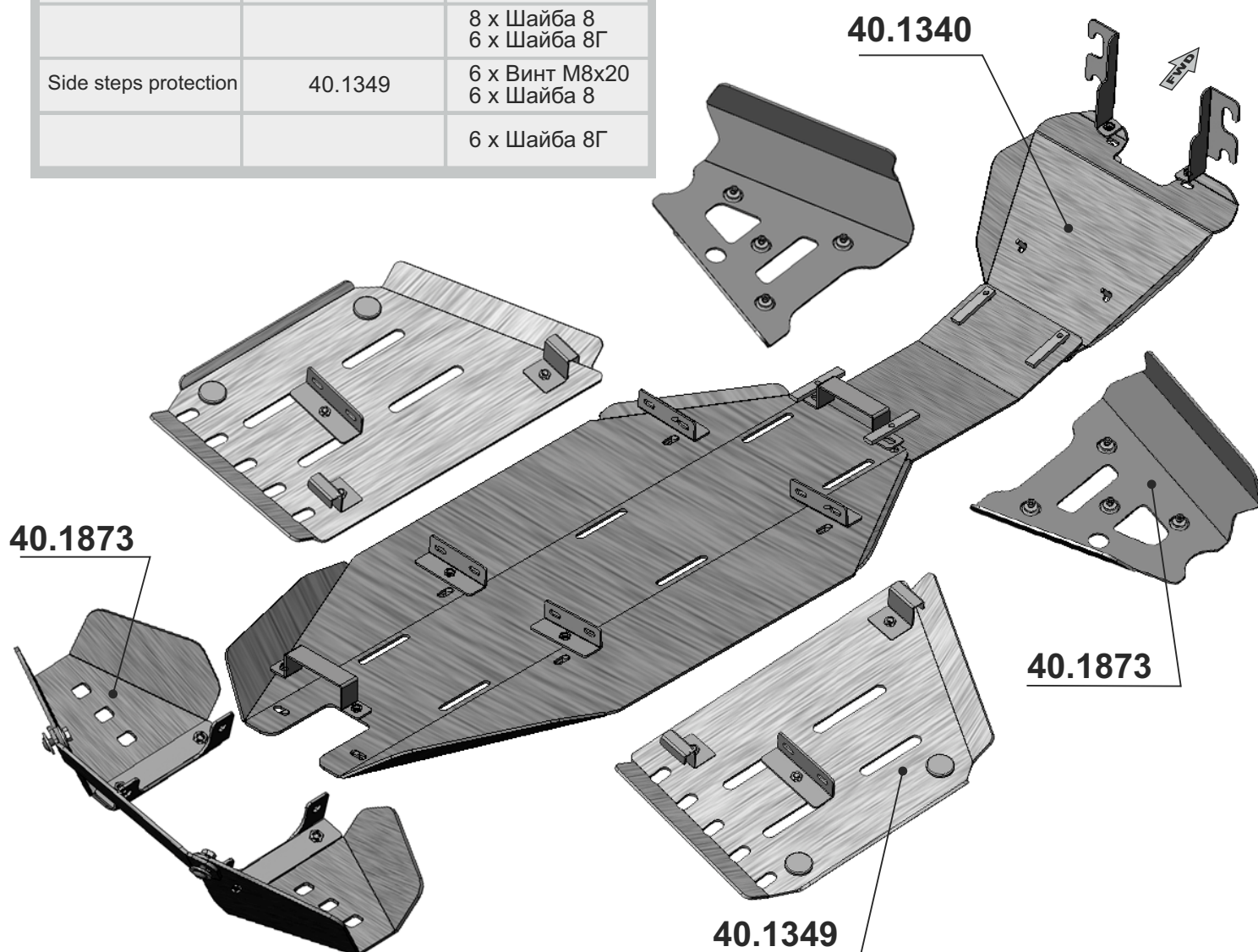
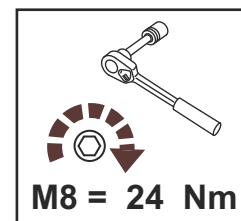
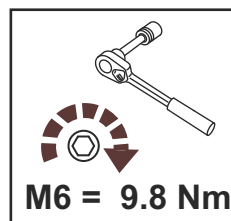


ATV Can - Am Outlander 650/800

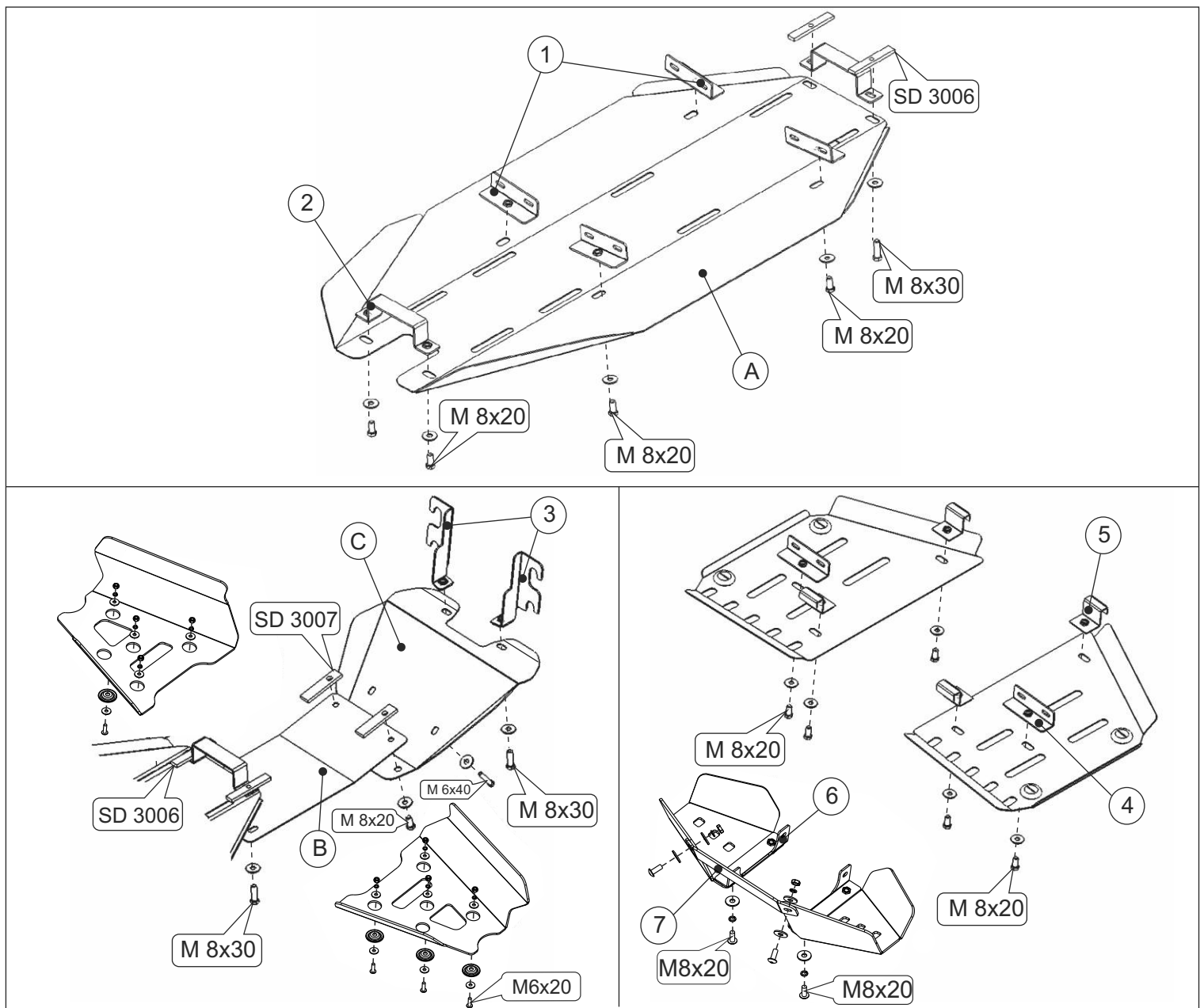
Material: Aluminium

Основные комплектующие на защиты

Part name	Part number	Fitting
Main part	40.1340	2 x Bolt M6x40
		2 x Bolt M8x30
		8 x Screw M8x20
		2 x Screw M8x30
A-arms skid plate	40.1873	4 x Washer 8
		10 x РП15002
		2 x SD 3006
		2 x SD 3007
Side steps protection	40.1349	8 x Винт M6x20
		6 x Винт M8x20
		8 x Гайка M6
		2 x Гайка M8
		16 x Шайба 6
		8 x Шайба 6Г
		8 x Шайба 8
		6 x Шайба 8Г
		6 x Винт M8x20
		6 x Шайба 8
		6 x Шайба 8Г



190020, Russia, Saint-Petersburg, Obvodny channel emb, 150
Phone: +7 812 335-05-25, fax: +7 812 786-49-11



ATV Can - Am Outlander 650/800

- 1) Remove state plastic skid plate.
- 2) Disassemble aluminum skid plate on parts.
- 3) To install the central part you should:
 - 3.1 Instal bracket "1" on the state fixing points.
 - 3.2 Install clamps "2" on a beam stretcher.
 - 3.3 Fix part "A" to clamps and brackets.
 - 3.4 Install part "B", fix it to part "A" and stretcher of ATV by screws and clamps.
 - 3.5 Reduce state fixing points for installing brackets "3". Tighten state screws.
 - 3.6 Install part "C".
- 4) Fix A-arms front protection on the state fixing points.
- 5) For installing side step protection you should:
 - 5.1 Attach bracket "4" to the frame in state fixing points.
 - 5.2 Clamps "5" install up on the beam stretcher.
 - 5.3 Install side step protection.
- 6) For installing rear A-arms protection you should:
 - 6.1 Fix brackets "6" in state fixing points.
 - 6.2 Install rear A-arms protection in brackets.
 - 6.3 Join rear A-arms protection between each other by bracket "7".
- 7) Tighten all fixing points.

